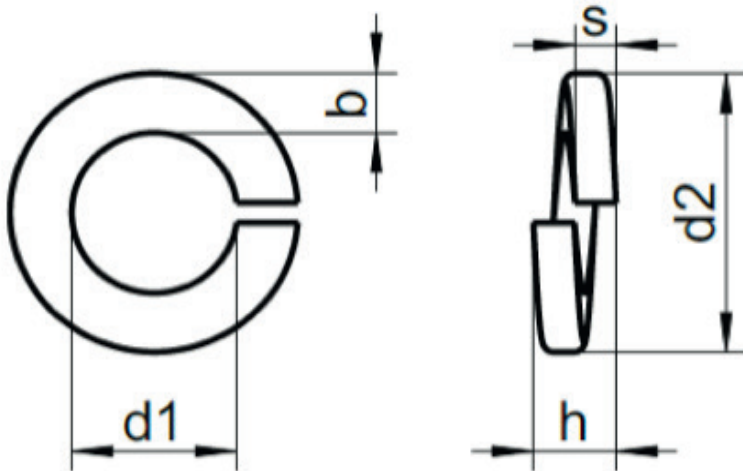


Veerringen

DIN 127



| d | d1 | d2 | h min | s | b |
|----------|-----------|-----------|--------------|----------|----------|
| M 3 | 3.1 | 6.2 | 1.6 | 0.8 | 1.3 |
| M 4 | 4.1 | 7.6 | 1.8 | 0.9 | 1.5 |
| M 5 | 5.1 | 9.2 | 2.4 | 1.2 | 1.8 |
| M 6 | 6.1 | 11.8 | 3.2 | 1.6 | 2.5 |
| M 8 | 8.1 | 14.8 | 4.0 | 2.0 | 3.0 |
| M 10 | 10.2 | 18.1 | 4.4 | 2.2 | 3.5 |
| M 12 | 12.2 | 21.1 | 5.0 | 2.5 | 4.0 |
| M 16 | 16.2 | 27.4 | 7.0 | 3.5 | 5.0 |
| M 20 | 20.2 | 33.6 | 8.0 | 4.0 | 6.0 |